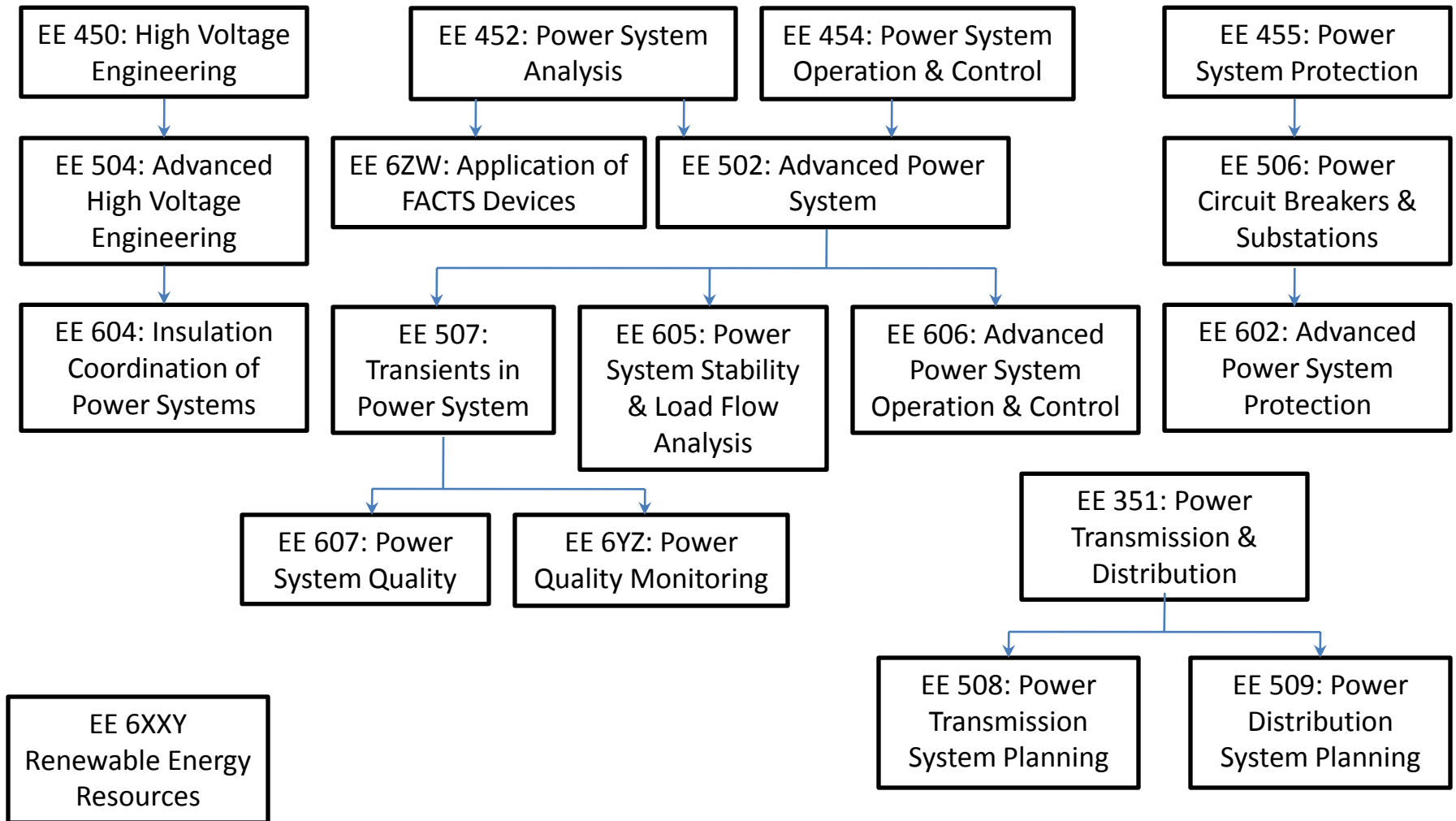


Power – Power Engineering



Power – Power Electronics & Electric Drives

